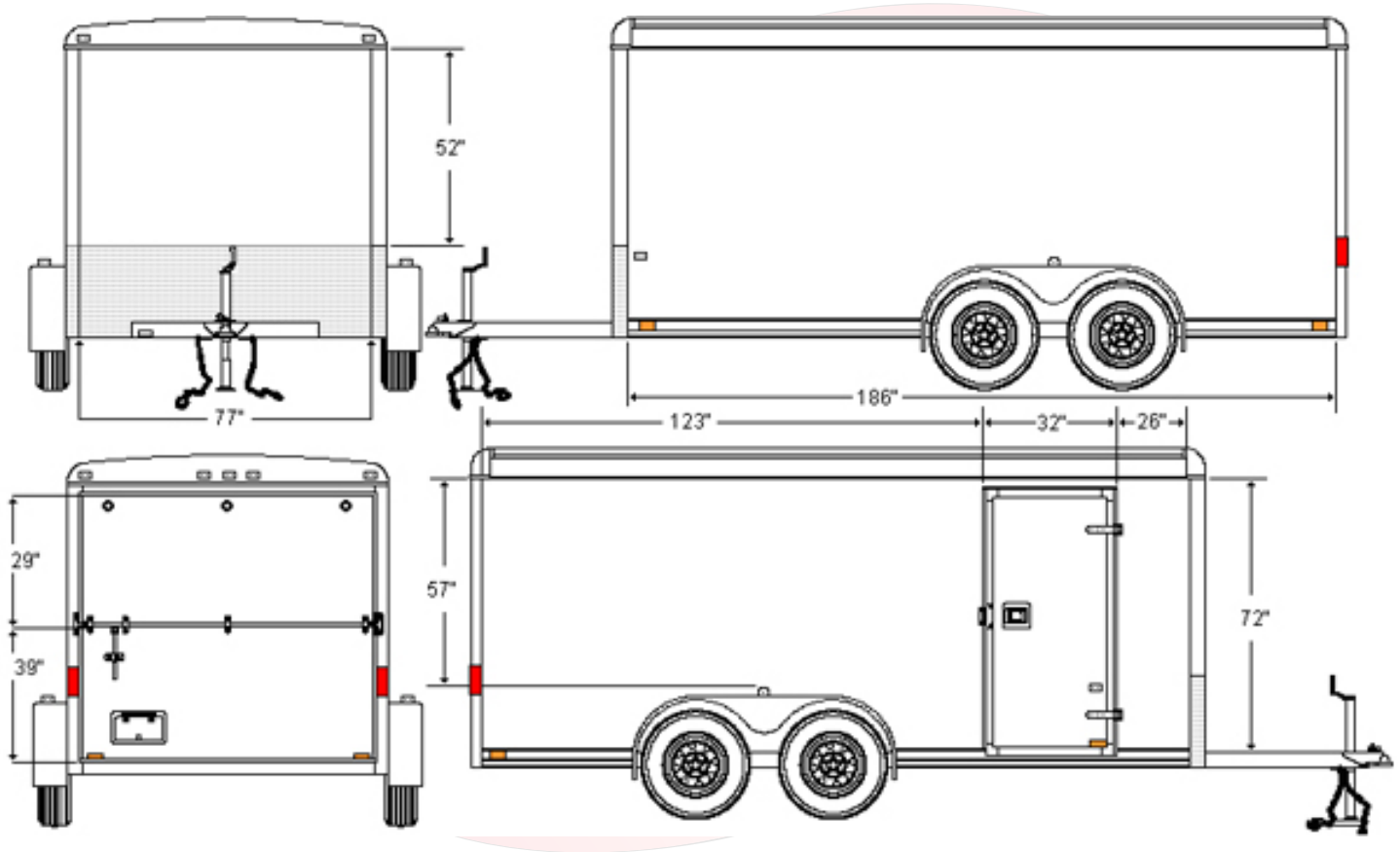




Vehicle Decals Measurement Sheet | 16 Foot Trailer Mid-Size



*for accurate quoting + finished product,
please provide length & width maximum dimensions of your desired decaling/magnet space.*

Your Info - *Required*

Name: _____

Email: _____

Cell: _____

Make/Model/Year: _____

file attachments/job description can be made out to info@decalsandesigns.com

additional notes: